

Clean Fresh air cabinet



Application

Used for laboratory , operating room , biopharmaceutical , LED lights , circuit boards, microelectronics, medical industry , food processing and other clean fresh air demanding work environment; are widely used in civil construction of the ventilation system , also can be applied to the housing building plus wind and equiblast of fire control system, purification air pressurizing ansupplement and other occasion.



Product information

Good sealing performance, connect with duct and configure the professional filters, the fresh air cabinet does primary filtration treatment and ensures that the air into the indoor is fresh and clean.

Configuration

Professional — structure is flexible and compact, low noise, smooth operation, adjustable pressure, long lifespan and other characteristics.

Flexibility — according to the special requirements of the new wind, configure the relative performance of the filter.

Diversity—1. variety sizes of flange optional.

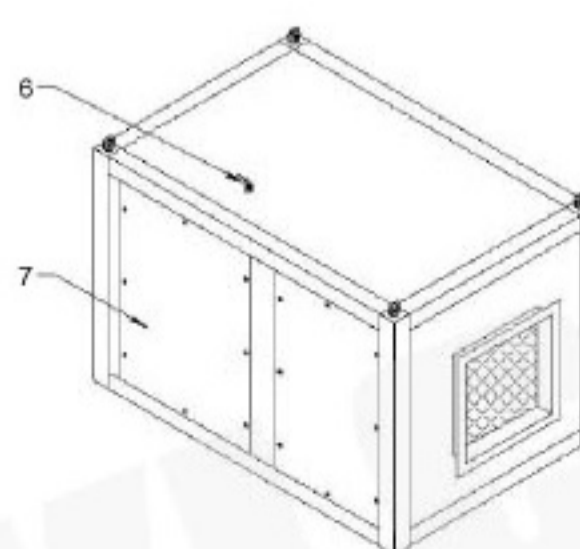
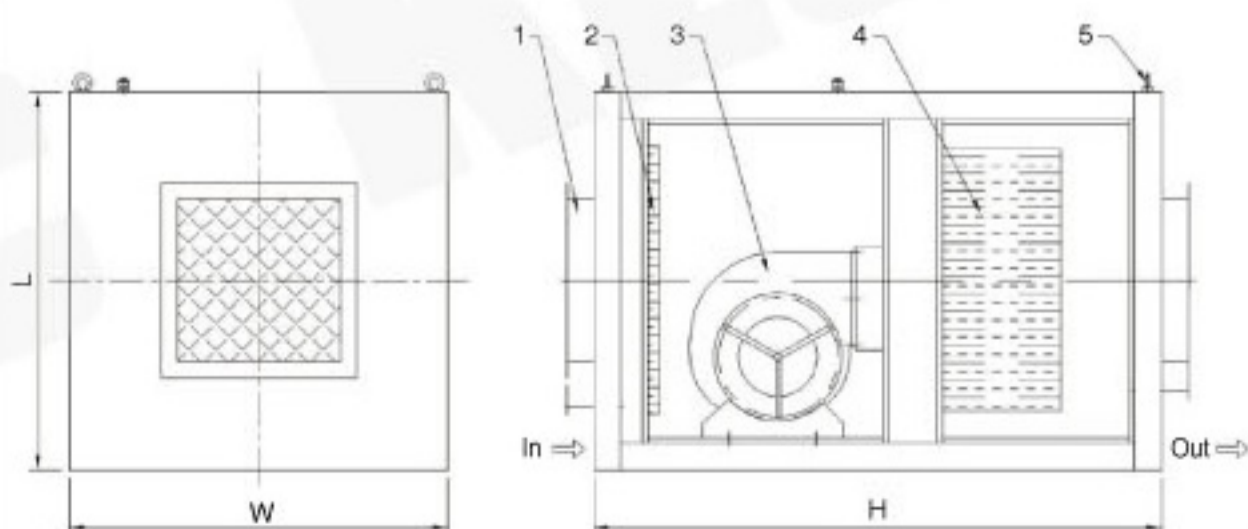
2.1000 Different air flow is available 1000CMH, 2000CMH, 3000CMH, 4000CMH, 5000CMH, etc.

OEM

Customized design is available.



Model	QT-FA-001	QT-FA-002	QT-FA-003	QT-FA-004	QT-FA-005
External Size(LxWxHmm)	800x800x1200	800x800x1350	1450x800x1350	1450x800x1500	1450x800x1700
Air flow(ml ³ /h)	1000~2000	2000~3000	3000~4000	4000~5000	5000~7000
Power(W)	550	800	1100	2200	4000
Material	A3 epoxy powder coated steel/stainless steel				
Power supply(V/Hz)	380/50	380/50	380/50	380/50	380/50
Noise dB	≤67	≤67	≤67	≤67	≤67
Class	G1+H13	G1+H13	G1+H13	G1+H13	G1+F8



Parameter:

The new wind cabinet whole made of cold plate painting.

- 1.Flange
- 2.Prefilter
- 3.Fan
- 4.HEPA/Medium
- 5.liftinglug
- 6.Power connector
- 7.access panel